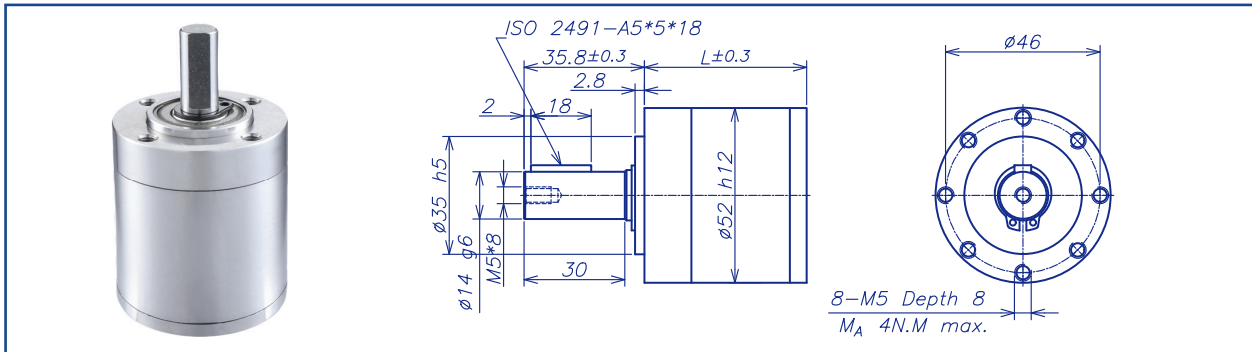


AM-52HP Series



GEARBOX CHARACTER			
Gear type	Straight teeth	Radial Play (12mm from flange)	max 0.1mm
Output shaft	Stainless steel hardened	Permissible force press fits	max. 600 N
Main gear	Alloy Steel hardened	Permissible axial load (dynamic)	max. 200N
Ring gear	Alloy Steel hardened	Recommended input speed	8000RPM
Adapter plate	Aluminum alloy	Operating temperature range	-40°C ~ +100°C
Bearing AT output	Ball bearing	Operating humidity range	10-90%RH
Axial play	0-0.3	Number of stages	1 2 3 4
Directions	CW/CCW	Permissible load (24mm from flange)	340N 520N 590N 590N

GEARBOX DATA												
Number of stage	1			2			3			4		
Reduction ratio X:1	3.5	4.3	6	12 15 21	19 26	36	43 53 74	66 91	126	150 186 230 257 319 441	285 394 546	756
Reduction ratio absolute	7/2	13/3	6/1	49/4 91/6 21/1	169/9 26/1	36/1	343/8 637/12 147/2	1183/18 91/1	126/1	2401/16 4459/24 8281/36 1029/4 637/2 441/1	15379/54 1183/3 546/1	756/1
Motor shaft max. diameter (mm)	10	8	4	10	8	4	10	8	4	10	8	4
Gearbox length "L" (mm)	48.3			64.8			81.3			97.8		
Max. continuous torque (N.m)	6			20			50			50		
Max. intermittent torque (N.m)	9			30			75			75		
Average backlash no load	0.6°			0.7°			0.7°			0.7°		
Gearbox efficiency	90%			81%			73%			65%		
Max. mass inertia (g.cm ²)	25.34			26.75			26.86			26.87		
Gearbox weight approx (g)	520			750			970			1200		
gearbox model	AM-52HPA-X			AM-52HPB-X			AM-52HPC-X			AM-52HPD-X		

AM-52HP Example of combination

INPUT GEARBOX DATA	
Modulus	0.7
Press angle	20°
Teeth number	12 18 24
Max gear hole "A"	4 8.0 10
Max motor shaft	4 8.0 10

MOTOR DIMENSION

RECOMMENDATION	
Recommend Motor:	Recommend Encoder:
Coreless Motor (w/E):	Suitable for Coreless Motor Encoder S: -
Brushless Motor (w/E):	Suitable for Brushless Motor Encoder S: AM-EN2211S*** Encoder T: AM-EN3612T***
AM-BL36***	
AM-BL40***	
AM-BL45***	

GEARBOX MOTOR LENGTH "LT"	
Gear motor length LT	192
Gear box length L1	81.3
Motor length L2	100
Encoder length L3	10.7

Download datasheet: <https://assunmotor.com/documents-download>

Visit Our Website and Online Shop at <https://assunmotor.com> Contact: info@assunmotor.com