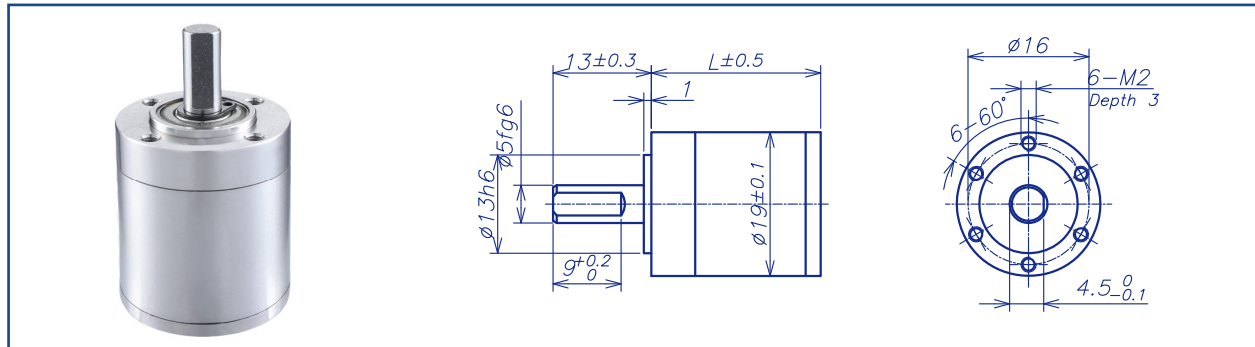


AM-19HP Series

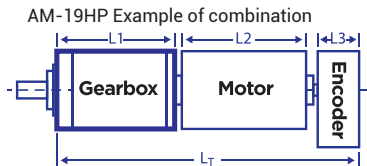


GEARBOX CHARACTER

Gear type	Straight teeth	Radial Play (8mm from flange)	max 0.1mm
Output shaft	Stainless steel hardened	Permissible force press fits	max. 100 N
Main gear	Alloy Steel hardened	Permissible axial load (dynamic)	max. 50N
Ring gear	Stainless steel hardened	Recommended input speed	15000RPM
Adapter plate	Stainless steel	Operating temperature range	-40°C ~ +100°C
Bearing AT output	Ball bearing	Operating humidity range	10-90%RH
Axial play	0-0.3	Number of stages	1 2 3 4
Directions	CW/CCW	Permissible load (5mm from flange)	60N 100N 120N 120N

GEARBOX DATA

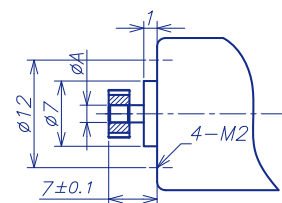
Number of stage	1			2		3		4		
	Reduction ratio X:1	3.8	4.4	5.4	14 16 20	19 24 29	53 62 76	72 84 89 104 109 128	198 231 270 285 333 410	316 389 479 590
Reduction ratio absolute	15/4	57/13	27/5	225/16 855/52 81/4	3249/169 1539/65 729/25	3375/64 12825/208 1215/16	48735/676 185193/2197 4617/52 87723/845 2187/20 41553/325	50625/256 192375/832 731025/2704 18225/64 69255/208 6561/16	2777895/8788 263169/676 124659/260 59049/100	10556001/28561 5000211/10985 2368521/4225 1121931/1625
Motor shaft max. diametre (mm)	3	2		3	2		3	2	3	2
Gearbox length "L" (mm)	17.6			22.4		27.2		32		
Max. continuous torque (N.m)	0.2			0.9		1.6		2		
Max. intermittent torque (N.m)	0.3			1.1		2		2.5		
Average backlash no load	1.2°			1.4°		1.4°		1.4°		
Gearbox efficiency	90%			81%		73%		65%		
Max. mass inertia (g.cm ²)	0.11			0.11		0.11		0.11		
Gearbox weight approx (g)	40			50		60		70		
gearbox model	AM-19HPA-X			AM-19HPB-X		AM-19HPC-X		AM-19HPD-X		



INPUT GEARBOX DATA

Modulus	0.35		
Press angle	20°		
Teeth number	10	13	16
Max gear hole "A"	2	2	3
Max motor shaft	2	2	3

MOTOR DIMENSION



Recommend Motor:
Coreless Motor (w/E):
AM-CL16***
AM-CL19***
AM-CL22***

Recommend Encoder:
Suitable for Coreless Motor
Encoder S: AM-EN1611S***
AM-EN2211S***

Brushless Motor (w/E):
AM-BL16***
AM-BL20***

Suitable for Brushless Motor
Encoder S: AM-EN1611S***
Encoder T: AM-EN1612T***

GEARBOX MOTOR LENGTH "LT"

Gear motor length L _T	40.6	73.1	79.2
Gear box length L ₁	17.6	22.4	27.2
Motor length L ₂	23	40	40
Encoder length L ₃	-	10.7	12

Download datasheet: <https://assunmotor.com/documents-download>

Visit Our Website and Online Shop at <https://assunmotor.com> Contact: info@assunmotor.com